

# UHF Middle Range Integrated Reader



**Model: RRU1861-8dBi**

**Size: 235 x 235 x 57mm**

**Weight: 900g**

## GENERAL DESCRIPTION

RRU1861-8dBi(US) is a high performance UHF RFID integrated reader. It is designed upon fully self-intellectual property. Based on proprietary efficient digital signal processing algorithm, it supports fast tag read/write operation with high identification rate. It can be widely applied in many RFID application systems such as Logistics, Access Control, Anti-counterfeit and Industrial Production Process Control System.

## FEATURES

- Self-intellectual property;
- Support ISO18000-6C (EPC C1G2), ISO18000-6B protocol tag;
- 902~928MHz , 860~868MHz frequency band (frequency customization optional);
- FHSS or Fix Frequency transmission;
- RF output power up to 30dbm (adjustable);
- 8dBi antenna optional with effect distance up to 4~6m\*;
- Support auto-running, interactive and trigger-activating work mode;
- Low power dissipation with single +9 DC power supply; POE (Power over Ethernet) is optional;
- Support RS232, RS485, Wiegand interface; provide RJ45(TCP/IP), Wi-Fi interface for choice;
- Provide DLL and Demonstration Software Source code to facilitate further development.

\* Effective distance depends on antenna, tag and environment.

## CHARACTERISTICS

- Absolute Maximum Rating

ITEM	SYMBOL	VALUE	UNIT
Power Supply	VCC	16	V
Operating Temp.	T <sub>OPR</sub>	-20~+60	°C
Storage Temp.	T <sub>STR</sub>	-25~+70	°C

- Electrical and Mechanical Specification

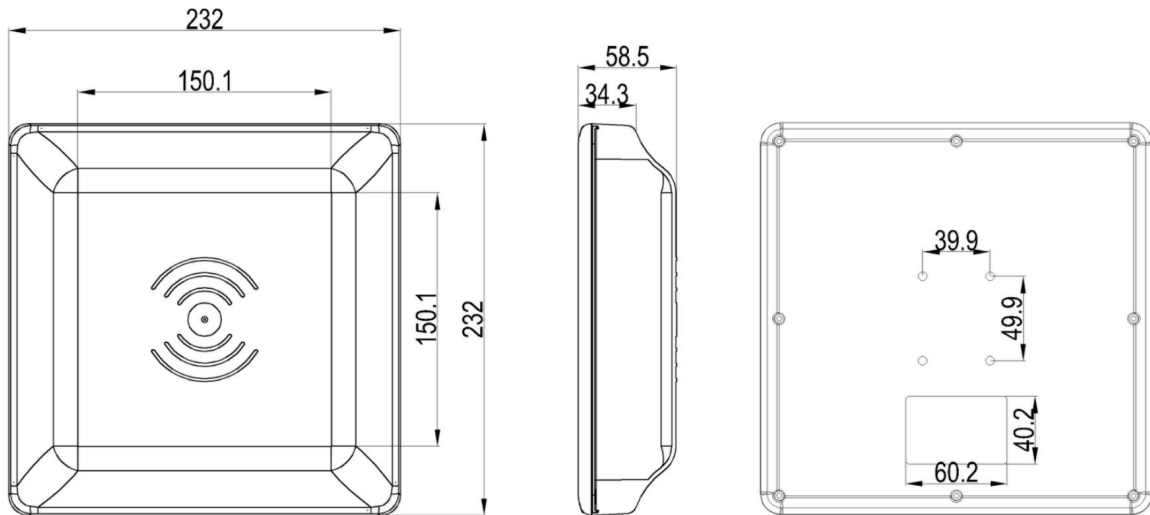
Under T<sub>A</sub>=25°C, VCC=+9V unless specified

ITEM	SYMBOL	MIN	TYP	MAX	UNIT
Power Supply	VCC	8	9	12	V
Current Dissipation	I <sub>C</sub>		350	650	mA
Frequency	F <sub>REQ</sub>	860	860~868 902~928	928	MHz

**INTERFACE**

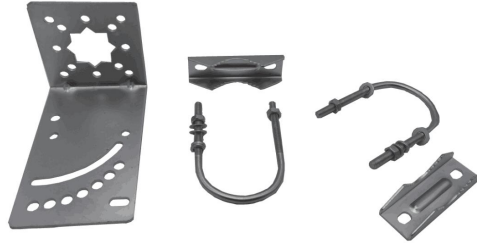
ITEM	COMMENT
Red	+9V
Black	GND
L-Blue	Wiegand DATA0
Blue	Wiegand DATA1
Purple	RS485 R+
Orange	RS485 R-
Brown	GND
White	RS232 RXD
Pink	RS232 TXD
Grey	Trigger input (TTL level)

**MECHANICAL DATA (UNIT:mm)**



**ACCESSORY**

Adaptor \* 1 pcs

Power Cable \* 1  
pcs

Bracket \* 1 set

**Remark:**

1. Specifications are subject to change, please pay attention to our latest version.
2. Shenzhen RoyalRay Science and Technology Co., Ltd. reserves the right to the final interpretation of the above terms.