

# UHF RFID 12dBi Linear Polarization Antenna



**Model: RR-UANT-1201H**

**Size: 445x445x42mm**

**Weight: 2100g**

## GENERAL DESCRIPTION

RR-UANT-1201H is a high performance UHF RFID antenna. It can be widely applied in many RFID application systems such as logistics, access control, anti-counterfeit and industrial production process control system, RFID New Retail, RFID Intelligent Cabinet.

## ABSOLUTE MAXIMUM RATING

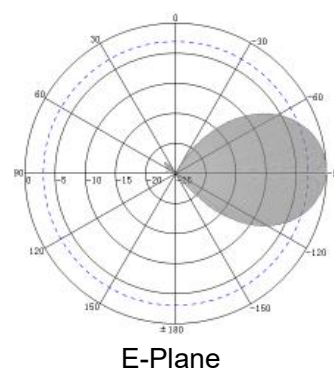
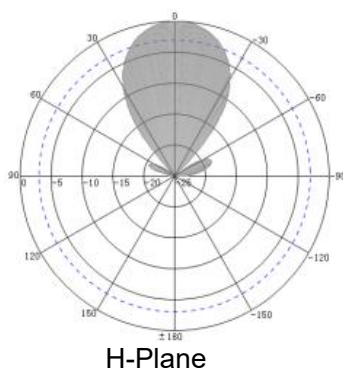
ITEM	SYMBOL	VALUE	UNIT
Operating Temp.	T <sub>OPR</sub>	-20~+60	°C
Storage Temp.	T <sub>STR</sub>	-40~+60	°C

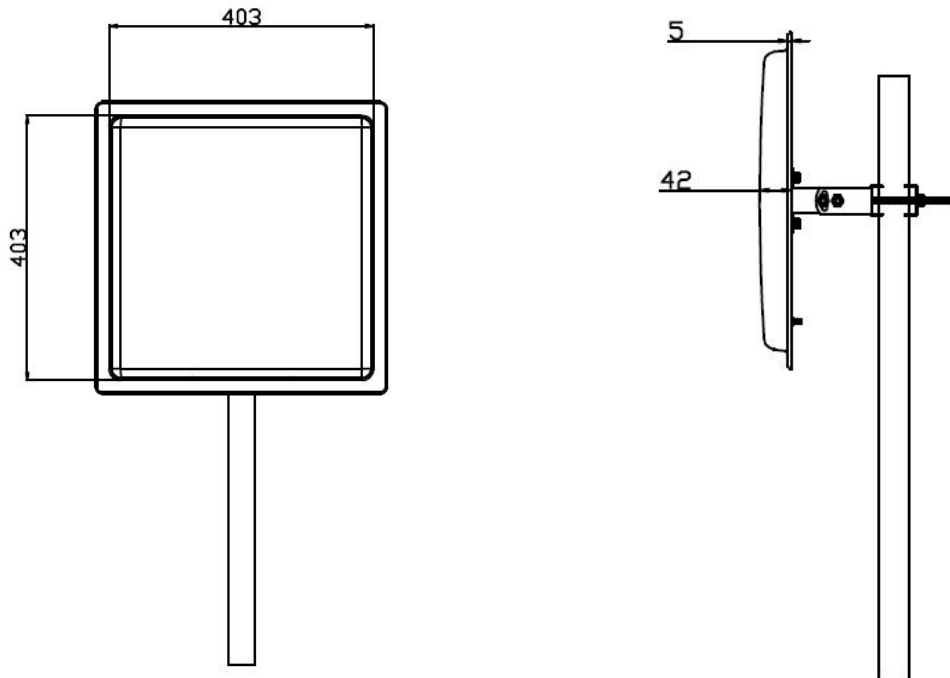
## SPECIFICATIONS

ITEM	COMMENT
Frequency*	902-928MHz
Gain	12dBi
Polarization	Horizontal
Connector	N-Female
Beam width	Hor: 40° Ver: 40°
VSWR	≤1.4
F/B Ratio	≥20
Impedance	50 Ω
Maximum power	100W
Lightning protection	DC Ground
Radome materia	ABS
Waterproof Rate	IP64

\*Other frequency range is optional.

## LOBE DIAGRAM:



**MECHANICAL DATA (UNIT: mm)***Remark:*

1. Specifications are subject to change, please pay attention to our latest version.
2. Shenzhen RoyalRay Science and Technology Co., Ltd. reserves the right to the final interpretation of the above terms.