

UHF RFID 12dBi Circular Polarization Antenna



Model: RR-UANT-1201C

Size: 445x445x42mm

Weight: 2100g

GENERAL DESCRIPTION

RR-UANT-1201C is a high performance UHF RFID antenna. It can be widely applied in many RFID application systems such as logistics, access control, anti-counterfeit and industrial production process control system, RFID New Retail, RFID Intelligent Cabinet.

ABSOLUTE MAXIMUM RATING

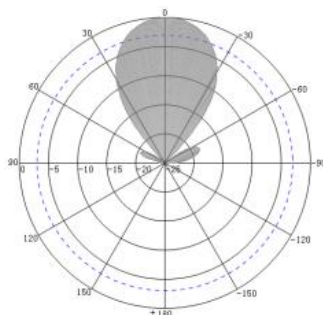
ITEM	SYMBOL	VALUE	UNIT
Operating Temp.	T _{OPR}	-20~+60	°C
Storage Temp.	T _{STR}	-40~+60	°C

SPECIFICATIONS

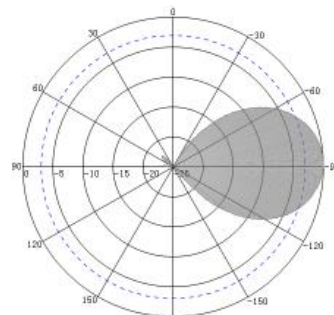
ITEM	COMMENT
Frequency*	865-868MHz / 902-928MHz
Gain	12dBi
Polarization	Circular
Connector	N-Female
Beam width	Hor: 40° Ver: 40°
VSWR	≤1.4
F/B Ratio	≥20
Impedance	50 Ω
Maximum power	100W
Lightning protection	DC Ground
Radome materia	ABS
Waterproof Rate	IP64

*Other frequency range is optional.

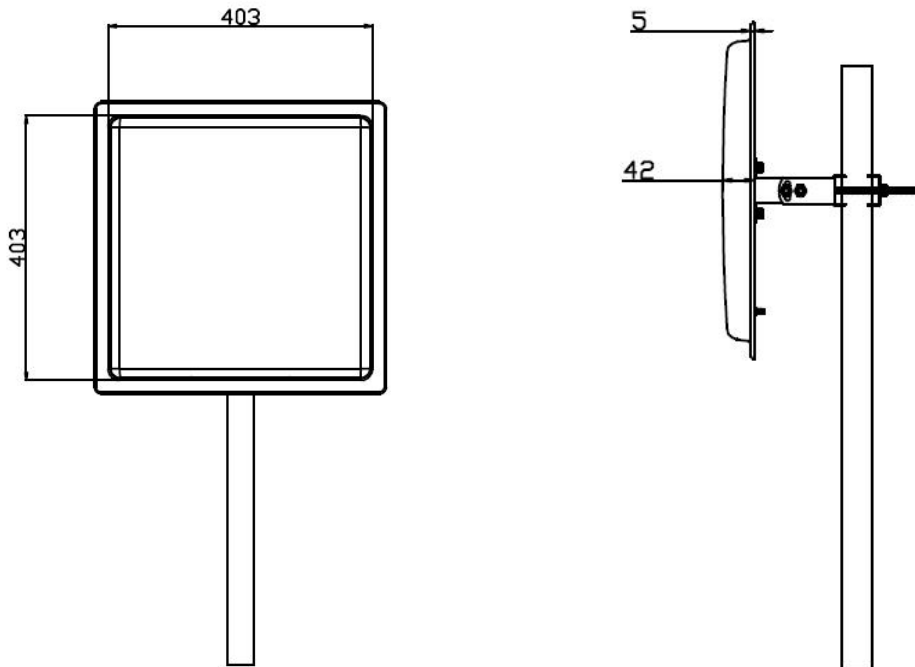
LOBE DIAGRAM:



H-Plane



E-Plane

MECHANICAL DATA (UNIT: mm)*Remark:*

1. Specifications are subject to change, please pay attention to our latest version.
2. Shenzhen RoyalRay Science and Technology Co., Ltd. reserves the right to the final interpretation of the above terms.